

CURRENT TRANSFORMER

Model 142

Window Diameter 7.25"

Application:
Relaying and Metering

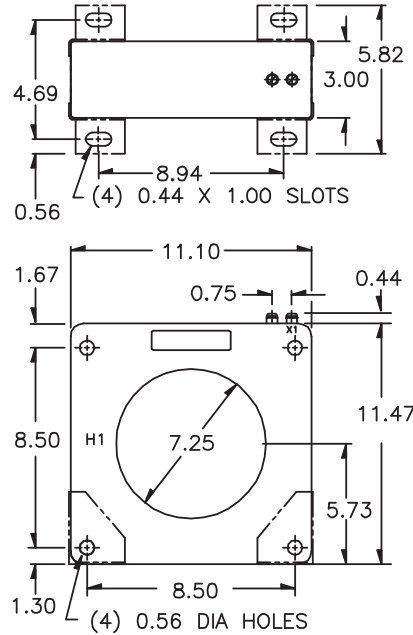
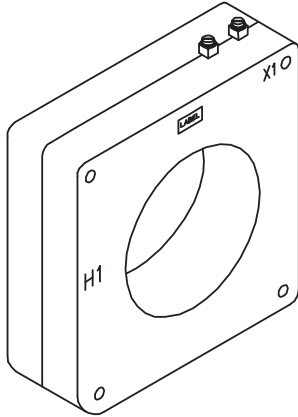
Frequency:
50 - 400 Hz

Insulation Level:
600 Volts, 10 kv BIL full wave

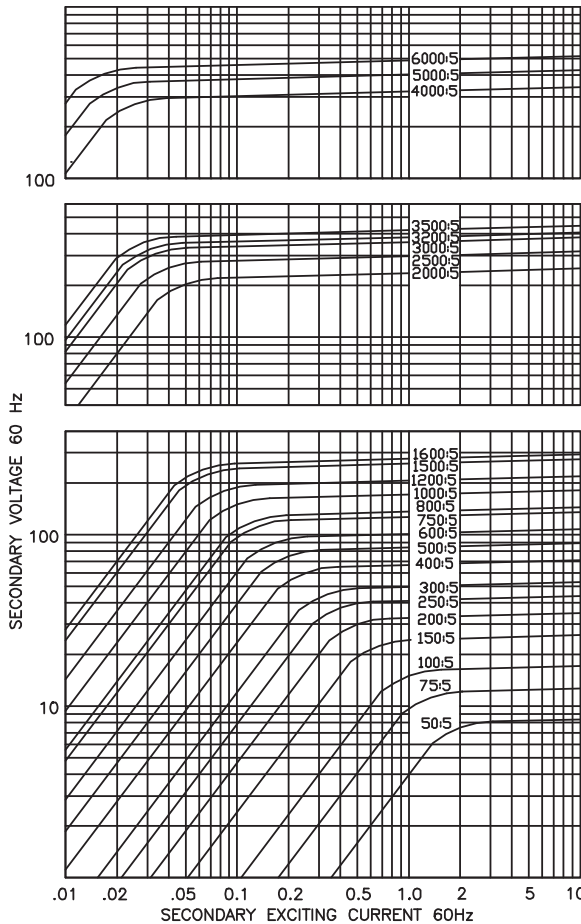


E228202

- Terminals are brass screws No. 10 - 32 UNF
□ with one flat washer and lockwasher.
- □ Multi ratios available upon request
- Order mounting bracket kit 142-CR-CL separately.
- □ Approximate weight: 31 lbs.



EXCITATION CURVE



CATALOG NUMBER	CURRENT RATIO	RELAY CLASS	ANSI METERING CLASS AT 60 Hz					SECONDARY WINDING RESISTANCE (OHMS @ 75 °C)	CONTINUOUS THERMAL RATING FACTOR	
			B0.1	B0.2	B0.5	B0.9	B1.8		@30°C	@55°C
142-500	50:5	-	-	-	-	-	0.031	2.0	2.0	
142-750	75:5	-	2.4	4.8	-	-	0.035	2.0	2.0	
142-101	100:5	C10	1.2	2.4	4.8	-	0.051	2.0	2.0	
142-151	150:5	C10	1.2	1.2	2.4	4.8	0.070	2.0	2.0	
142-201	200:5 *	C20	0.6	0.6	1.2	2.4	4.8	0.102	2.0	2.0
142-251	250:5 *	C20	0.6	0.6	1.2	1.2	2.4	0.127	2.0	2.0
142-301	300:5 *	C30	0.3	0.3	0.6	1.2	2.4	0.153	2.0	2.0
142-401	400:5 *	C50	0.3	0.3	0.3	0.6	1.2	0.196	2.0	2.0
142-501	500:5 *	C50	0.3	0.3	0.3	0.6	0.6	0.252	2.0	2.0
142-601	600:5 *	C50	0.3	0.3	0.3	0.3	0.6	0.255	2.0	2.0
142-751	750:5 *	C100	0.3	0.3	0.3	0.3	0.3	0.304	2.0	1.5
142-801	800:5 *	C100	0.3	0.3	0.3	0.3	0.3	0.336	2.0	1.5
142-102	1000:5 *	C100	0.3	0.3	0.3	0.3	0.3	0.486	2.0	1.5
142-122	1200:5 *	C100	0.3	0.3	0.3	0.3	0.3	0.735	1.5	1.0
142-152	1500:5 *	C200	0.3	0.3	0.3	0.3	0.3	0.918	1.5	1.0
142-162	1600:5 *	C200	0.3	0.3	0.3	0.3	0.3	0.979	1.33	1.0
142-202	2000:5 *	C200	0.3	0.3	0.3	0.3	0.3	0.544	2.0	1.5
142-252	2500:5 *	C200	0.3	0.3	0.3	0.3	0.3	1.066	1.5	1.0
142-302	3000:5 *	C200	0.3	0.3	0.3	0.3	0.3	1.280	1.0	0.8
142-322	3200:5 *	C200	0.3	0.3	0.3	0.3	0.3	1.365	1.0	0.8
142-352	3500:5 *	C200	0.3	0.3	0.3	0.3	0.3	1.493	1.0	0.8
142-402	4000:5 *	C200	0.3	0.3	0.3	0.3	0.3	1.452	1.0	0.8
142-502	5000:5 *	C200	0.3	0.3	0.3	0.3	0.3	1.915	1.0	0.8
142-602	6000:5 *	C200	0.3	0.3	0.3	0.3	0.3	2.298	1.0	0.6